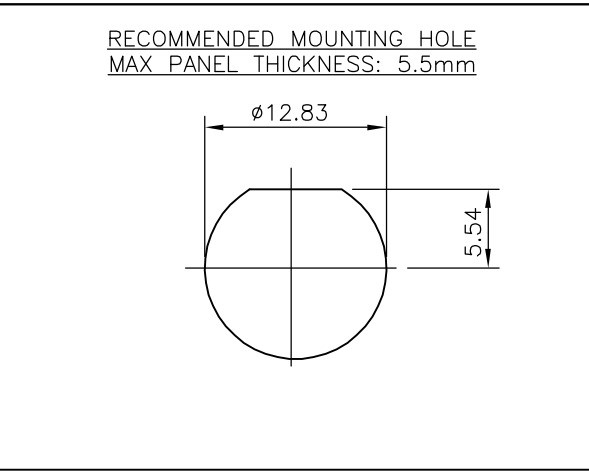
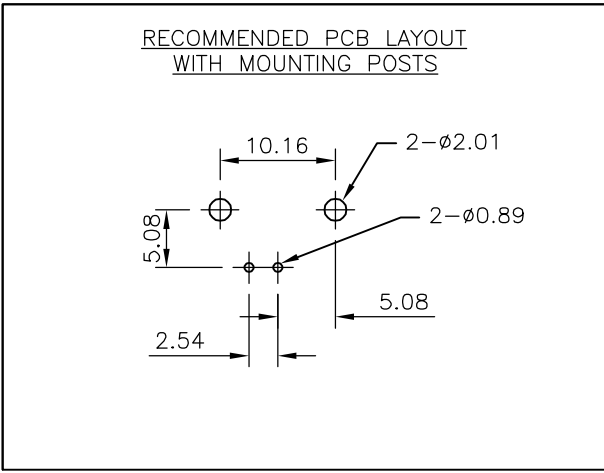
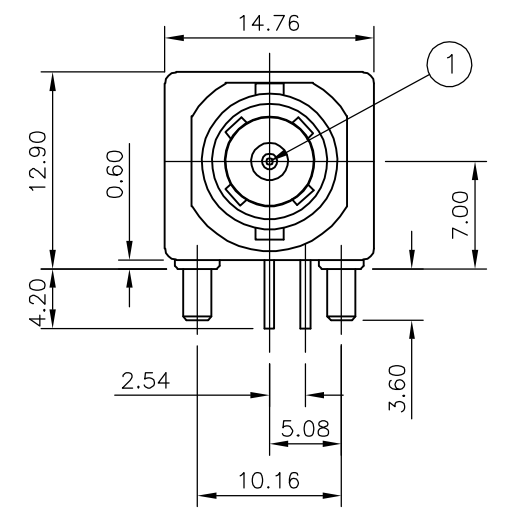
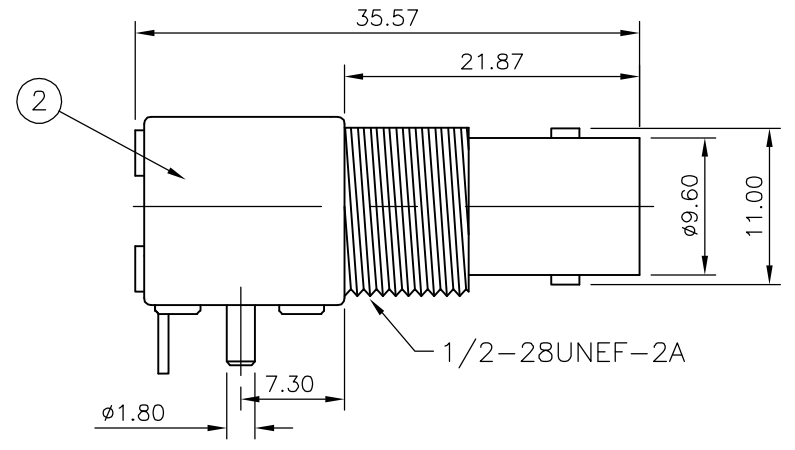
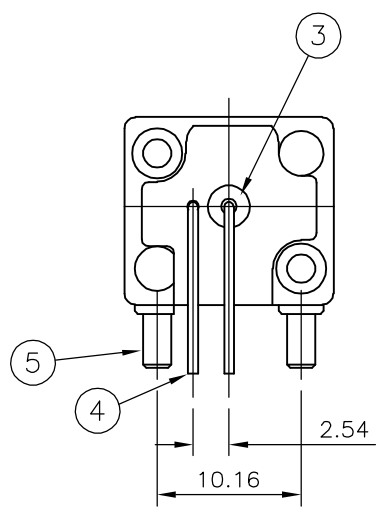


THIS DRAWING IS UNPUBLISHED. RELEASED FOR PUBLICATION NOV ,2005.
 © COPYRIGHT 2005 BY TYCO ELECTRONICS CORPORATION. ALL RIGHTS RESERVED.

LOC	DIST	REVISIONS			
P	LTR	DESCRIPTION	DATE	DWN	APVD
E	B	C	ECR-06-013423	11OCT06	JMS FWK

- NOTES:
- 1 SINGLE PACK IN ACCORDANCE WITH AMP SPEC 107-3275
 - 2 50 TRAY PACK IN ACCORDANCE WITH AMP SPEC 107-3275
 - 3 Au PLATING
 - 4 Ni PLATING
 - 5 TIN PLATING
6. CHARACTERISTICS
- | | |
|-------------------------------|------------|
| FREQUENCY RANGE: | DC-2GHz |
| NOMINAL IMPEDANCE: | 75 OHMS |
| WORKING VOLTAGE: | 500V RMS |
| INSULATION RESISTANCE: | 5000 MOHMS |
| DIELECTRIC WITHSTAND VOLTAGE: | 1500V RMS |
| CONTACT RESISTANCE: | |
| CENTRE CONTACT | 1.5 mOHMS |
| OUTER CONTACT | 0.2 mOHMS |
7. MECHANICAL CHARACTERISTICS
- | | |
|-------------|-----------|
| DURABILITY: | 50 CYCLES |
|-------------|-----------|
8. FOR TECHNICAL DATA REFER TO YOUR LOCAL TYCO ELECTRONICS SALES OFFICE
9. ALL DIMENSIONS ARE NOMINAL FOR REFERENCE ONLY UNLESS OTHERWISE STATED



QTY	QTY	MATERIAL	DESCRIPTION	ITEM
2	2	BRASS	MOUNTING POST	5
1	1	BRASS	SOLDER TAIL	4
1	1	PE-606	INSULATOR	3
1	1	ZINC ALLOY	BODY	2
1	1	BRASS	CONTACT	1
6--0	1--0	MATERIAL	DESCRIPTION	ITEM

THIS DRAWING IS A CONTROLLED DOCUMENT.		DWN J.SANDWELL 24NOV05	Tyco Electronics Corporation Bideford, UK, EX39 4HE													
DIMENSIONS: mm		CHK S.PARLOW 24NOV05														
TOLERANCES UNLESS OTHERWISE SPECIFIED:		APVD F.WHEELER-KING 24NOV05	NAME BNC SHIELDED LOW PROFILE ELBOW PCB SOCKET 75 OHM													
<table border="0"> <tr><td>0 PLC</td><td>± -</td></tr> <tr><td>1 PLC</td><td>± -</td></tr> <tr><td>2 PLC</td><td>± -</td></tr> <tr><td>3 PLC</td><td>± -</td></tr> <tr><td>4 PLC</td><td>± -</td></tr> <tr><td>ANGLES</td><td>± -</td></tr> </table>		0 PLC	± -	1 PLC	± -	2 PLC	± -	3 PLC	± -	4 PLC	± -	ANGLES	± -	PRODUCT SPEC -	APPLICATION SPEC -	
0 PLC	± -															
1 PLC	± -															
2 PLC	± -															
3 PLC	± -															
4 PLC	± -															
ANGLES	± -															
MATERIAL SEE TABLE	FINISH SEE TABLE	411-3247	SIZE A3	CAGE CODE 00779												
CUSTOMER DRAWING		WEIGHT -	DRAWING NO C-1478030	RESTRICTED TO -												
SCALE NTS			SHEET 1 OF 1	REV C												